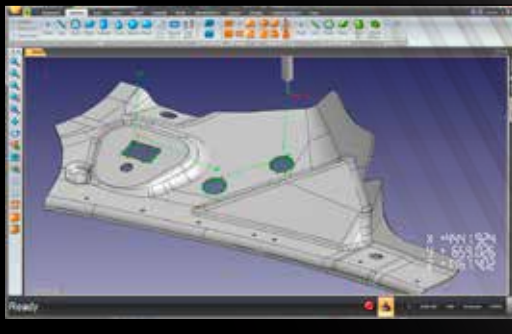
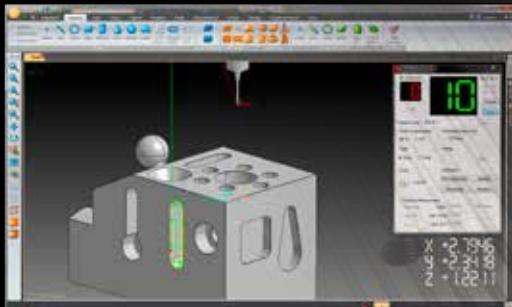




CMM-Manager

Fully featured metrology software
for Multi-sensor, CNC, Manual,
and Portable CMMs



Nikon
100th
anniversary

EASY TO USE, RICH FUNCTIONALITIES

CMM-Manager is by far the highest value multi-sensor inspection software that runs on nearly all manual, CNC and portable CMMs. Using CMM-Manager's automatic path planning and user-friendly graphical interface, users inspect more parts in less time.

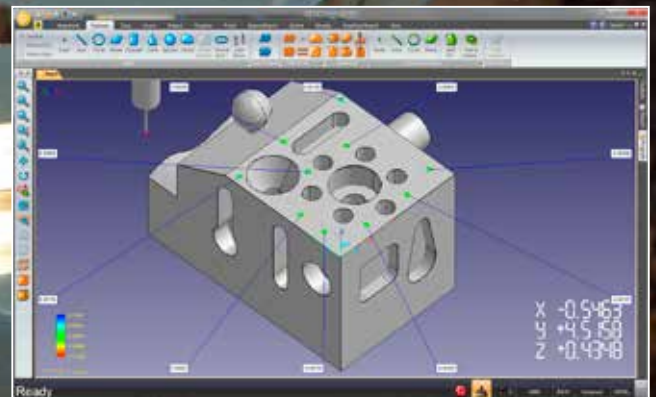
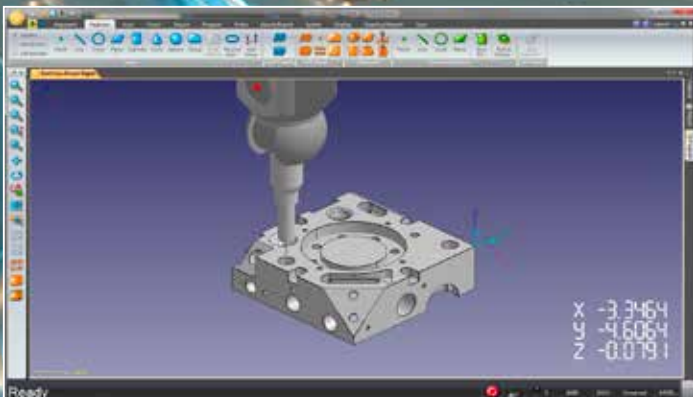
It is a task-oriented, highly intuitive software featuring quick walk-in measurement, one-click CAD measure, collision-free CAD teach, virtual simulation, real-time verification, CAD and datum alignment, and many more smart functions.

Combined with the PH20 probe head, CMM-Manager turns around inspection work up to 3 times faster. By using PH20's 5-axis blended motion, infinite angular positioning, and unique "head touch" capability, CMM-Manager can automatically generate the most efficient probe paths possible.

Besides the rich functionalities for CNC and manual fixed-bed CMMs, CMM-Manager offers smart features for portable arm measurements, such as improved user guidance, automatic probe recognition and the same part programs for CNC and manual CMM.

CMM-Manager's versatility is unparalleled with its ability to communicate with the widest range of metrology equipment. Inspection programs can be shared and executed on any supported device, making CMM-Manager the most flexible software solution available.

The Windows graphical user interface – including intuitive icons, a ribbon bar style layout and graphic tooltips – makes CMM-Manager even more informative and interactive. Touch screen, multi-touch support, intuitive navigation paths, and minitab compatibility offer additional benefits and opportunities.

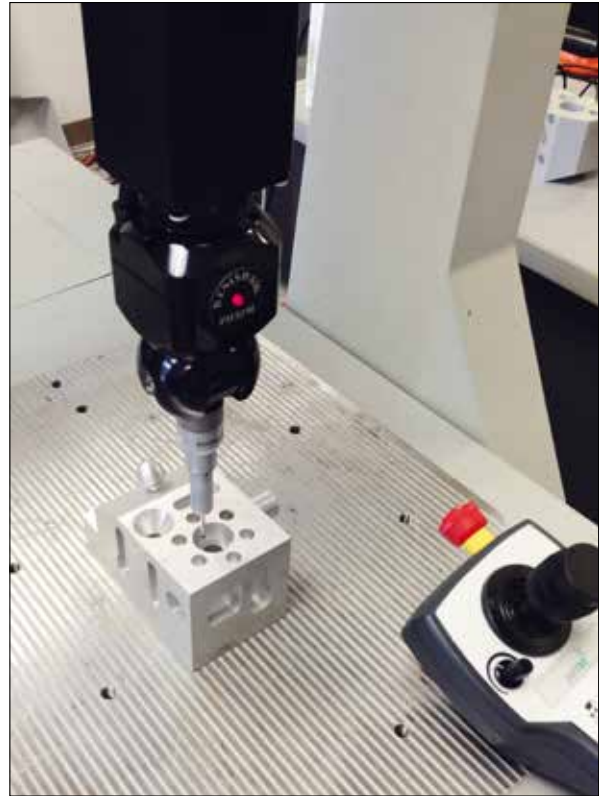
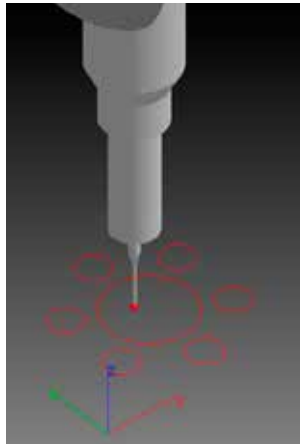


QUICK TO START, FAST RESULTS

Walk-in measurement

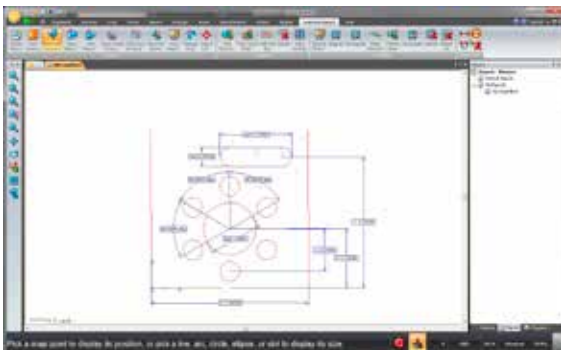
Simply walk up to the CMM, quickly align the part, and immediately measure geometric features and points on planes. When CAD is available, you can even take snap point measurements on the screen to eliminate manually probing the work piece.

Docking and sliding panels provide an open and straightforward CMM-Manager workspace, which allows the operator to quickly inspect complicated features such as hole patterns in minutes.



Graphical dimensioning

CMM-Manager provides intuitive and easy-to-use graphical dimensioning tools. The operator can quickly snap measured features on the screen to display dimensions including distance, angle and size.

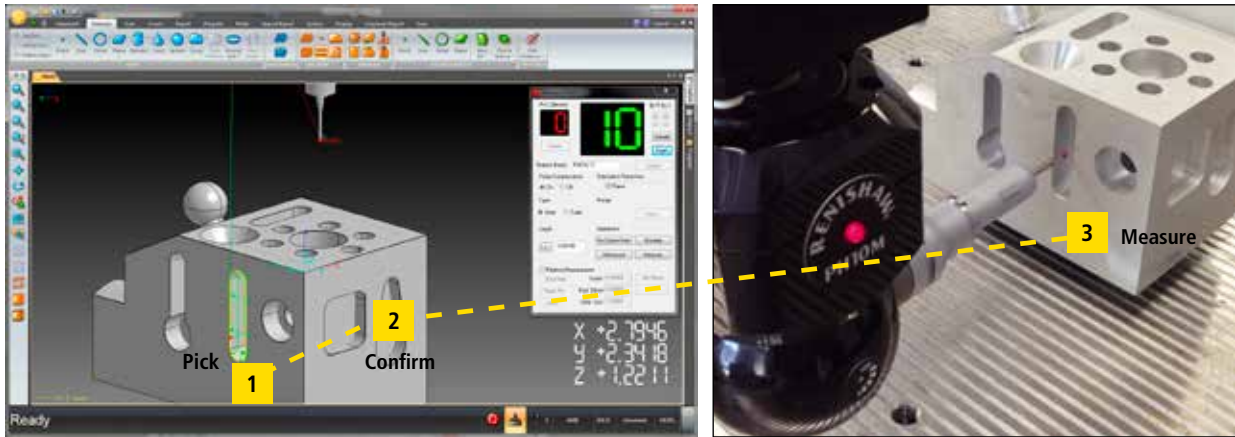


Web-ready report

The software automatically generates inspection reports that serve as digital communication tools, graphically highlighting critical dimensions and point deviations.



EASY TO USE, EASY TO ANALYZE



True click-and-measure capability

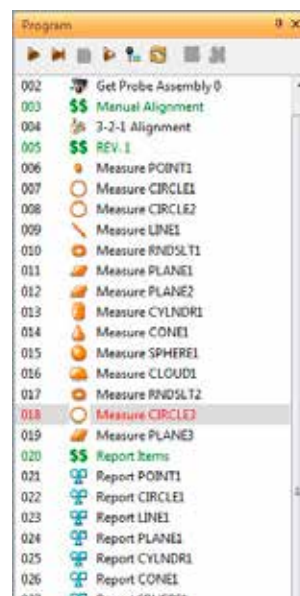
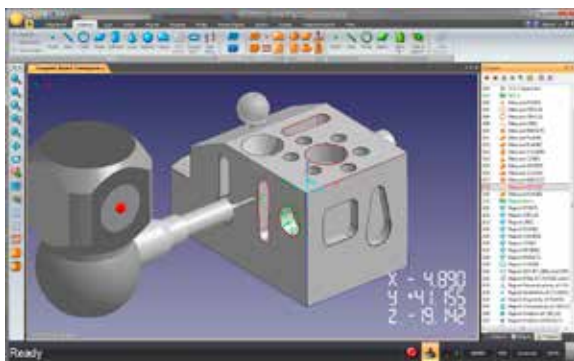
Using CMM-Manager's true click-and-measure capability, the operator is able to pick any feature on the screen display. The software automatically selects the proper probing angle and generates a collision-free path. After the operator confirms the selection, the CMM automatically measures the feature.

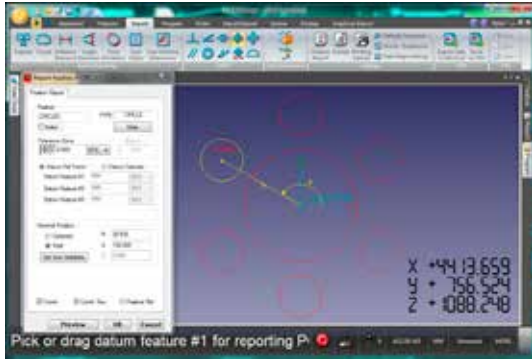
Iconized part program representation

In CMM-Manager, part programming is organized on the basis of clear and easy-to-understand icon representations, each indicating a measure, construct or report task. Such a task-oriented interface eliminates the struggle of dealing with lengthy text-based part programming.

CAD-based graphical programming

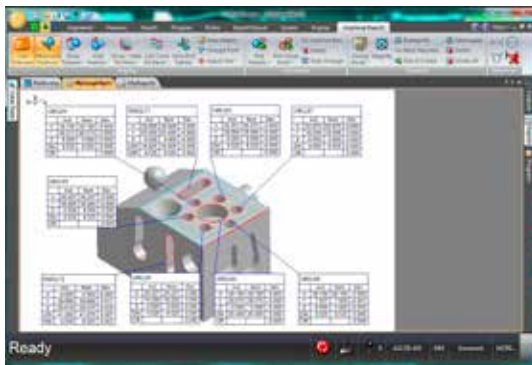
The operator can quickly create inspection programs directly from the CAD model, using graphical programming tools available in CMM-Manager. These part programs can be easily modified and visually simulated to verify program execution.





Graphics assisted tolerance reporting

CMM-Manager reporting covers datum features for easy feature identification, and illustrates dimensions and tolerances in the graphics window for easy visual confirmation.

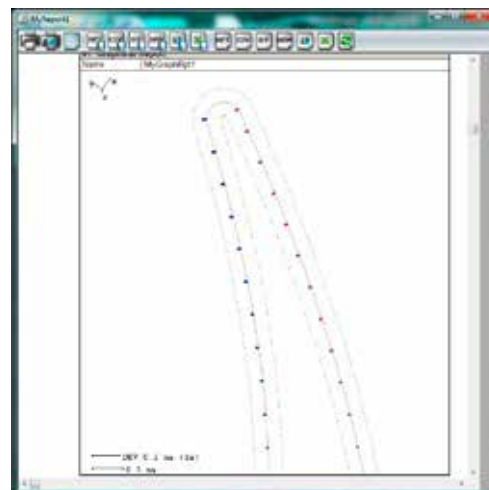
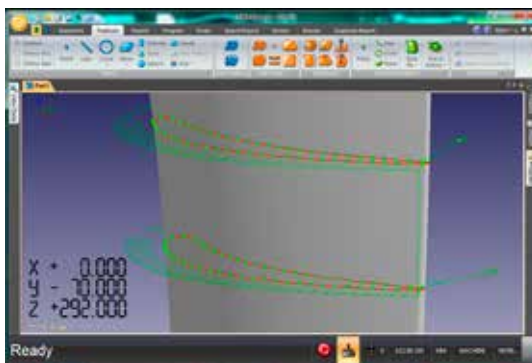


Drag-and-drop graphical report creation

Drag-and-drop functions incorporated into CMM-Manager speed up graphic reporting. To instantly create a graphics report table, for example, the operator simply drags the appropriate item from the report database tree to the graphics report window.

Cross section & freeform surface scanning

In CMM-Manager, it is easy to define a cutting plane for cross section scanning or to pick a freeform surface for digitization.

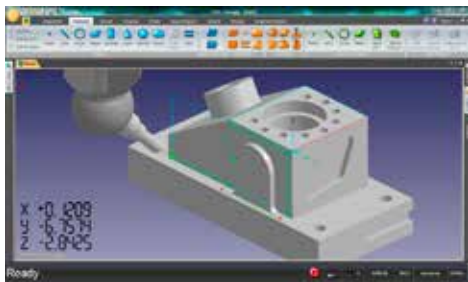


SMART FEATURES FOR ACCURATE AND FAST INSPECTION



Automatic probing angle selection

A real timesaver is CMM-Manager' capability to automatically select the best probing angle to measure features. When necessary, the software select multiple probing angles to be able to inspect difficult-to-measure features, such as deep pockets and through holes.



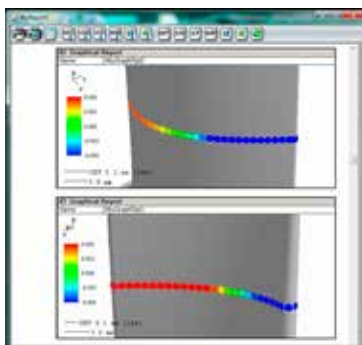
Automatic collision avoidance

CMM-Manager intelligently modifies probe motion to avoid any obstacles along the path once a probe collision is detected. As this is done automatically, it guarantees completely collision-free inspection path.



Iterative datum alignment for soft fixturing

The powerful datum alignment tool of CMM-Manager aligns a part to designated datum points. This soft fixturing function eliminates the need of dedicated hard fixtures and helps customers to reduce expenditure of hard fixture fabrication and maintenance.



Best-fit analysis for improved inspection accuracy

CMM-Manager has a built-in best-fit analysis engine to compare measurement data with the CAD model. This powerful best-fit function eliminates the influence of misalignment and cosine errors in tolerance evaluation to achieve the best inspection accuracy.



PH20 support triples CMM productivity

PH20 probe head support in CMM-Manager for Windows drives fast, infinite, rotary positioning for high-speed point measurement with minimum CMM movement. The probe head brings five-axis inspection capability to smaller CMMs by optimizing the working volume of the measurement platform, increasing touch-trigger CMM inspection throughput up to three times.

EFFICIENT PORTABLE MEASUREMENTS

CMM-Manager supports tactile measurements using portable CMMs, such as an articulated arm and a K-Series Optical CMM. It is a highly intuitive and easy-to-use metrology software for inspection tasks at the shop floor covering a wide range of measurement volumes.

Besides the rich functionalities for CNC and manual fixed-bed CMMs, CMM-Manager offers smart features for portable arm measurements, such as improved user guidance, automatic probe recognition and the same part programs for CNC and manual CMM.

A powerful combination

Tightly integrated with Nikon Metrology's MCA-series articulated arms, CMM-Manager guides the user through every measurement task. CMM-Manager also supports 3rd party articulated arms, such as FARO, Romer/CimCore, Microscribe, etc.

K-Series SpaceProbe for measuring large components

The K-Series Optical CMM with SpaceProbe allows measurements to be taken in a working volume up to 17m³ in a range from 1,5 to 6m. As such, complete vehicles can be easily measured in one track.

Leap-frogging to extend working volume

In case the workpiece exceeds the available working volume, CMM-Manager supports moving or flipping the work piece during the measurement process. This function enables a portable arm operator to measure workpieces larger than the working volume of the measurement system.

Guided plane measurement for 2D feature measurement

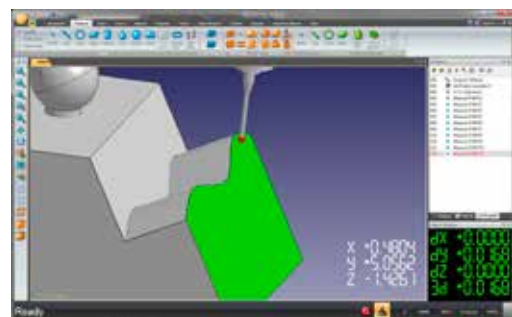
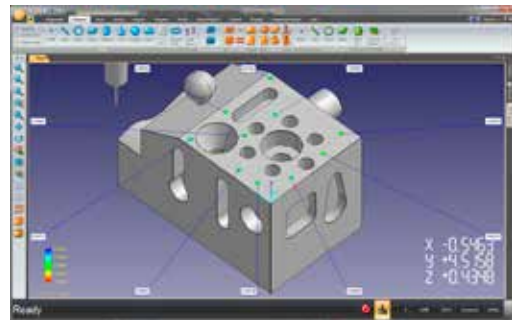
This feature enables the operator to set up a guide plane with a specified tolerance zone when measuring a 2D feature with a portable CMM. Measurement points will be taken when the probe crosses the selected guide plane within the specified tolerance zone.

Guided measurement for tactile scanning

The operator can select a guidance feature, such as a plane, line, cylinder, cone, sphere or a CAD surface, with a specified tolerance zone when measuring a point cloud with a portable CMM. Measurement points will be taken when the probe crosses the selected guidance feature within the specified tolerance zone.

Audio / visual guidance

With this new feature, the user can set up a tolerance zone and CMM-Manager will change audio tone and color depending whether the probe is inside or outside the specified tolerance zone when the watch window is open.



SOFTWARE FEATURES

Fully integrated measurement environment

- Task-oriented working environment with a Windows intuitive user interface that is easy to learn and use.
- Walk-in measurement for quick dimension check
- Click-and-measure capability
- CAD-based and task-oriented graphical programming
- Virtual simulation and real-time verification
- DMIS part program support covering high-level language
- Same program for CNC and manual CMM

Advanced path planning

- Automatic probing angle selection
- Collision detection and smart collision avoidance
- Inspection path optimization
- PH20 probe head support

Powerful alignment tools

- 3-2-1 alignment for prismatic datum features
- CAD alignment for freeform surfaces
- Iterative datum alignment for soft fixturing

Convenient reporting functions

- Complete ASME Y14.5 GD&T support
- Graphics assisted tolerance reporting
- Graphical dimensioning tool for quick dimension report
- Drag-and-drop graphical report creation
- Various combination of customizable text and graphical report
- Color marks illustrating individual CAD deviations of measurement points
- Web-ready HTML report output
- Built-in best-fit analysis function for CAD comparison
- Excel 2016 compatibility
- AS9102 Report Output

Reverse engineering support

- Exporting measured features to IGES and DXF file format
- Exporting measured points to IGES and DXF file format

Retrofit capabilities

- Direct interface for CNC CMM retrofits:
 - Nikon Metrology CMM, Sheffield Cordax, Brown & Sharpe, Mitutoyo, Zeiss, Numerex, Starrett
 - Renishaw UCC1/UCC2 controller retrofits
- Manual CMM retrofits:
 - Sheffield Cordax, Brown & Sharpe, Mitutoyo, Zeiss, Numerex, Starrett
- Articulated arm retrofits:
 - Nikon Metrology MCA/ MCAII / MCAx, MicroscribeX
 - Faro, Romer/CimCore
- Nikon Metrology K-Series Optical CMM

2D vision capabilities

- Vision Module adds 2D camera inspection with edge detection to any manual or DCC CMM.
- Can be used in conjunction with standard touch probe.
- Hardware kit includes USB camera, Ring Light, Lens and all cables.

Gear Inspection Module

- Optional Gear Inspection Module for any DCC CMM uses standard touch probe.
- Inspect Gears including Outside Straight, Helical and Bevel. Inside Gears including Straight and Helical.
- Inspect and Report Lead, Profile, Pitch, Tooth Thickness, Run-Out, and 3D Topography

Native CAD model import

- Optional Native CAD importers allow import of CAD beyond the standard IGES, STEP, DXF, and ASCII file types
- Available formats include ACIS, CATIA, Inventor, Parasolid, Pro/E, Solidworks, Unigraphics, and VDA-FS.



NIKON METROLOGY NV

Geldenaaksebaan 329
B-3001 Leuven, Belgium
phone: +32 16 74 01 00 fax: +32 16 74 01 03
Sales.NM@nikon.com

NIKON METROLOGY EUROPE NV

tel. +32 16 74 01 01
Sales.Europe.NM@nikon.com

NIKON METROLOGY GMBH

tel. +49 6023 91733-0
Sales.Germany.NM@nikon.com

NIKON METROLOGY SARL

tel. +33 1 60 86 09 76
Sales.France.NM@nikon.com

NIKON METROLOGY, INC.

tel. +1 810 2204360
Sales.US.NM@nikon.com

NIKON METROLOGY UK LTD.

tel. +44 1332 811349
Sales.UK.NM@nikon.com

NIKON CORPORATION

Shinagawa Intercity Tower C, 2-15-3, Konan,
Minato-ku, Tokyo 108-6290 Japan
Telephone: +81-3-6433-3701 Fax: +81-3-6433-3784
www.nikon.com/products/industrial-metrology/

NIKON INSTRUMENTS (SHANGHAI) CO. LTD.

Tel.: +86 21 5836 0050
Tel.: +86 10 5869 2255 (Beijing office)
Tel.: +86 20 3882 0550 (Guangzhou office)

NIKON SINGAPORE PTE. LTD.

Tel.: +65 6559 3618
nsg.industrial-sales@nikon.com

NIKON MALAYSIA SDN. BHD.

Tel.: +60 3 7809 3609

NIKON INSTRUMENTS KOREA CO. LTD.

Tel.: +82 2 2186 8400

ISO 14001 Certified
for NIKON CORPORATION

ISO 9001 Certified
for NIKON CORPORATION
Microscope Solutions Business Unit
Industrial Metrology Business Unit